

BAOLI
FORKLIFTS
1.0 - 10T
CAPACITIES



Baoli Material Handling Europe





Headquarters of KION Baoli in China



Global Baoli in Europe

Baoli offers practical and reliable forklift trucks. Baoli works in partnership with its distributors, dealers and clients by thinking globally, with decisions made locally. Baoli Material Handling Europe manages all aspects concerning European development, support services and marketing.

Baoli in Europe is supported by global group companies:

- ✓ It is a subsidiary of KION Baoli, which is located near Shanghai in China and employs over 730 people.
- ✓ Baoli is one of the KION Group brands. Other brands include Linde, STILL, OM STILL, Fenwick, Voltas and Egemin Automation. The Group utilizes synergies among the brands.

A portfolio to meet all requirements

Baoli engine, electric and warehouse trucks cover various user applications. 1 to 10 ton capacity models are available. The research and development team focuses to keep Baoli forklifts easy to operate and to service.

Standard components ensure that professional forklift technicians require minimum service tools. Baoli offers products with excellent value for money.



The headquarters of Baoli Material Handling Europe is located in the Czech capital Prague.



Overview Product Range

WAREHOUSE TRUCKS

ELECTRIC PALLET TRUCKS



EP15
1,3/ 1,5 ton



EP15-N01
1,5 ton



EP20-N01/02
2 ton



EP20-N03
2 ton



EP25-N01
2,5 ton

ELECTRIC PALLET STACKERS



ES10-N01
1 ton



ES12-N01
1,2 ton



ES12-N02, ES15-N01
1,2-1,5 ton



ES15-N02
1,5 ton



ES16-N01
1,6 ton



ES15
1,5 ton

ELECTRIC FORKLIFT TRUCKS

3-WHEEL TRUCK



KBET
1,5 - 1,8 ton

4-WHEEL TRUCK



KBE
1,5 - 3,5 ton

INTERNAL COMBUSTION FORKLIFT TRUCKS

LPG



KBG
1,5 - 3,5 ton

DIESEL



KB standard
1,5 - 3,5 ton



KB plus
1,5 - 3,5 ton

DIESEL



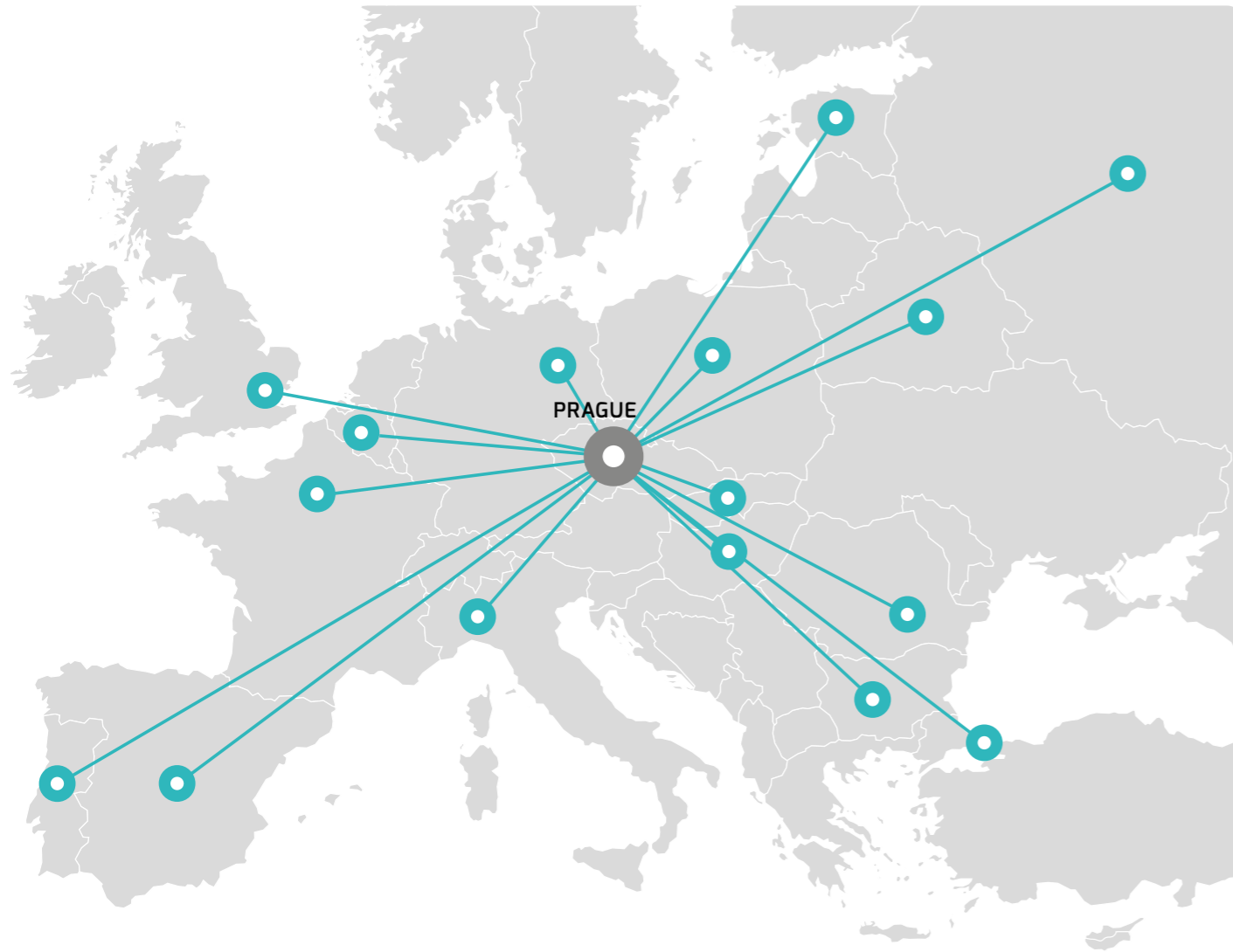
CPCD standard
4 - 5 ton



CPCD
5 - 7 ton



CPCD
10 ton



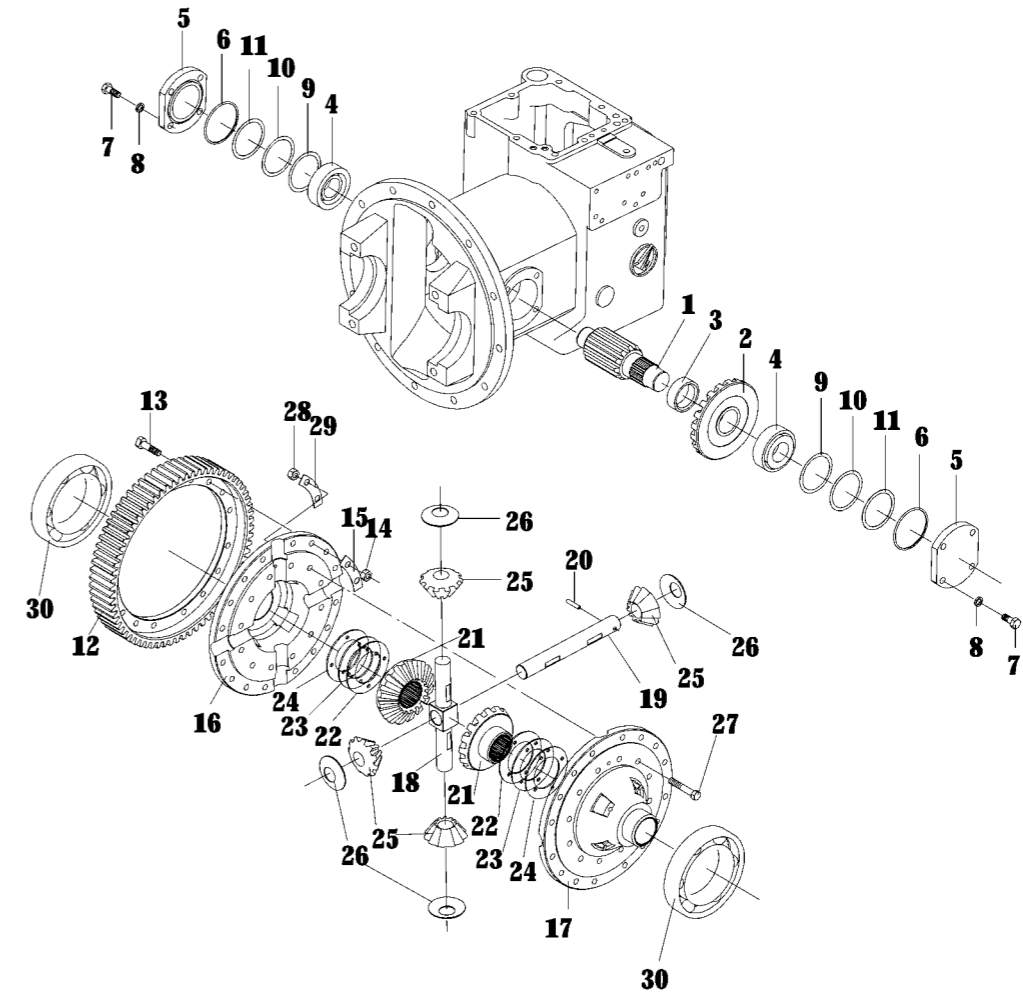
Extensive and experienced network

Distributors and dealers are the real experts in their local markets. Therefore Baoli completely trusts in its distributor and dealer network.

Baoli partners have long-term experience in the industry and ensure professional services for their customers.

More than 20 distributors and 100 dealers already cooperate in the Baoli network across Europe. The network is continuously growing.

Up to date information about the network can be found at www.baoli-mh.eu/European-distributors



Real relations start after sales

Customers obtain added value with aftersales and support services. The contact point for European Baoli distributors is the multi-lingual team based in Prague. Baoli ensures technical training, product and technical support, European warranty procedure and spare parts assistance.

Spare parts are available in Europe:

- ✓ Ordering is quick and easy online using the Electronic Parts Catalogue.
- ✓ Key European Baoli distributors have stock of spare parts for European customers.



www.baoli-mh.eu/European-distributors

FOR MORE INFORMATION PLEASE CONTACT US AT:

Baoli Material Handling Europe s.r.o.
 Andel Park Smichov, Karla Engliše 3201/6
 150 00 Prague 5, Czech Republic
 Tel.: +420 255 725 441
 Email: vera.klickova@baoli-mh.com





www.baoli-mh.eu

